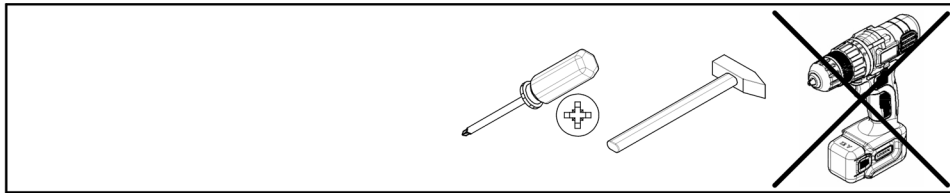
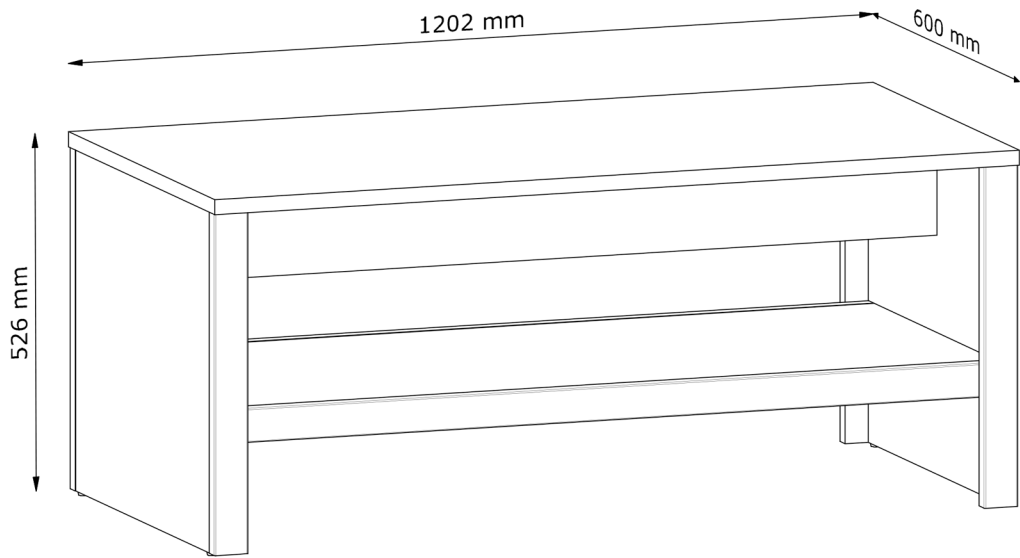
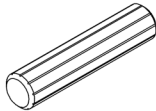


# MONTANA / MALTA

# ST

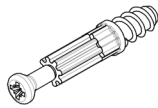


**A1 x 18**



Ø8x35mm

**B1 x 26**



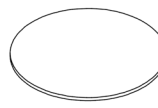
Ø5x38mm

**C1 x 26**



Ø15x12mm

**J x 14**

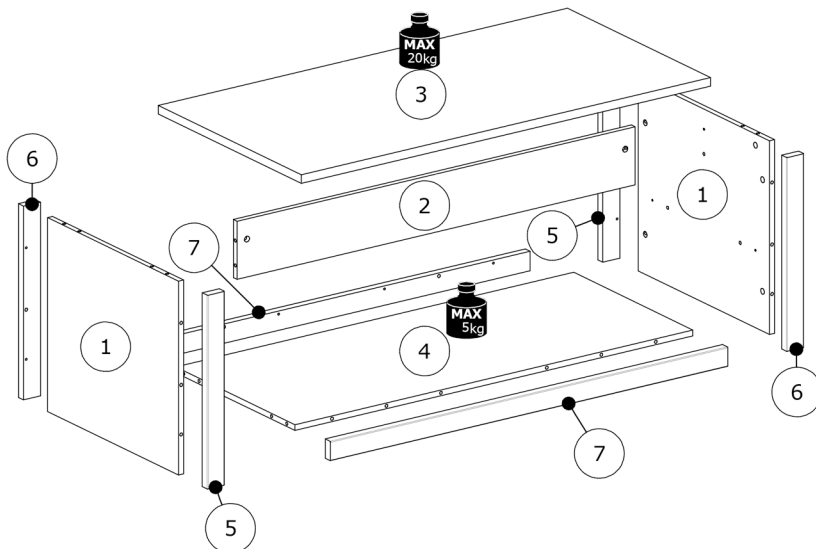
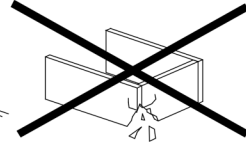
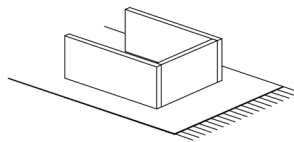
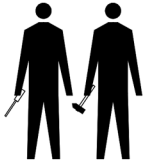


Ø21mm

**Y5 x 4**



Ø15x20mm

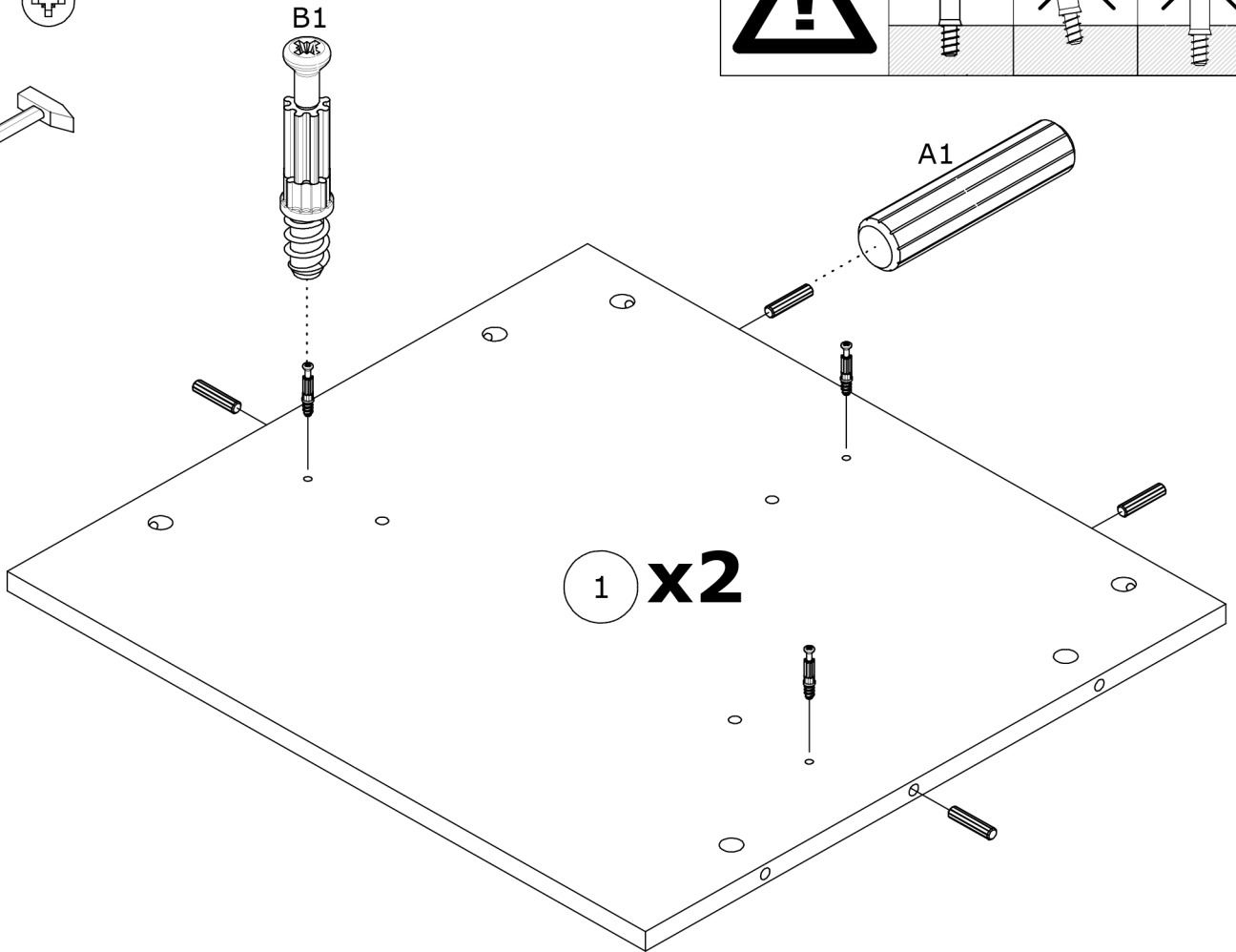
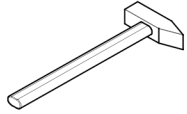
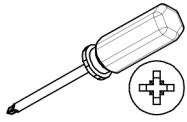
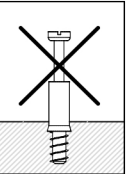
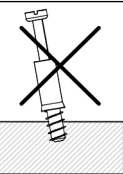
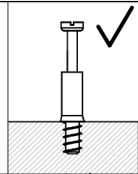
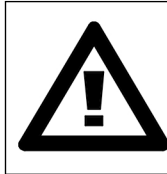
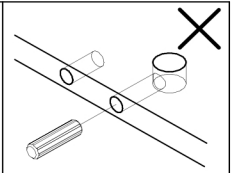
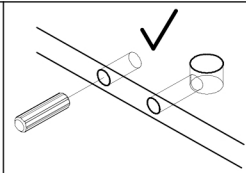


No.	L[mm]	W[mm]	H[mm]	PSC	BOX
1	500	550	15	2	1/1
2	1169	150	15	1	1/1
3	1202	600	22	1	1/1
4	1169	500	15	1	1/1
5	500	50	22	2	1/1
6	500	50	22	2	1/1
7	1167	50	22	2	1/1

**1**

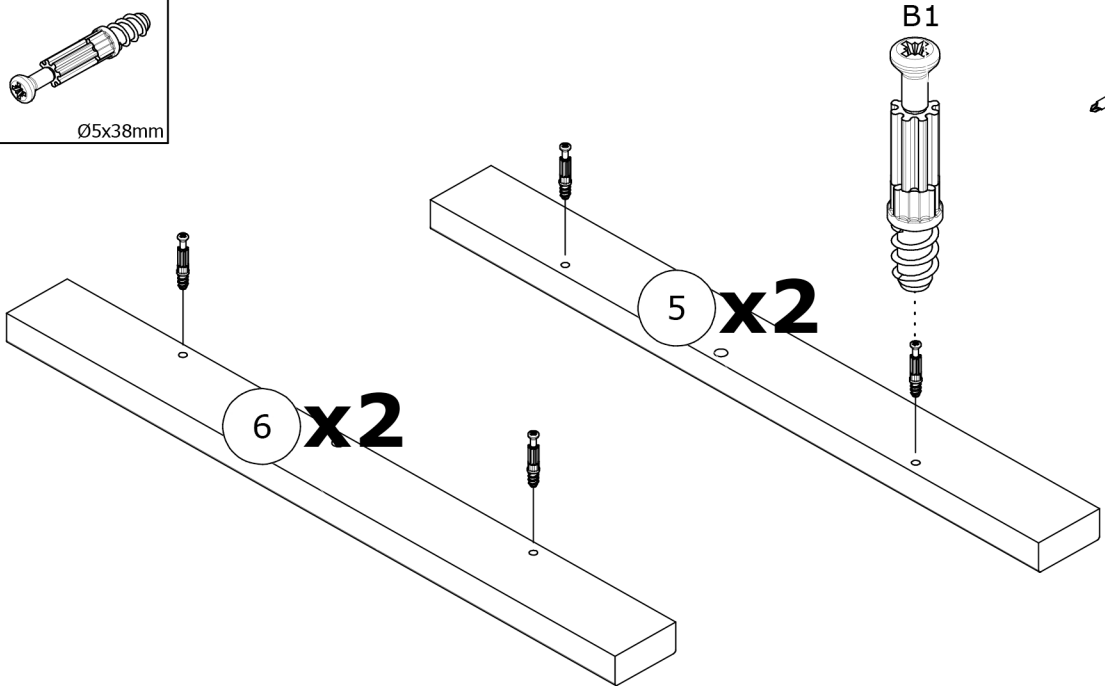
**A1 x8**  
Ø8x35mm

**B1 x6**  
Ø5x38mm



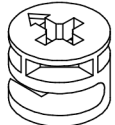
**2**

**B1 x8**  
Ø5x38mm



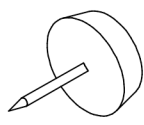
**3**

C1 x 8

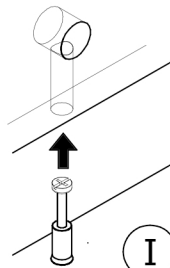


Ø15x12mm

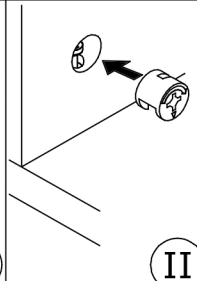
Y5 x 4



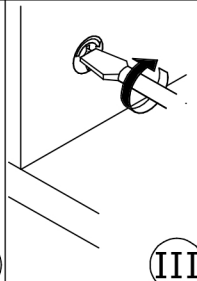
Ø15x20mm



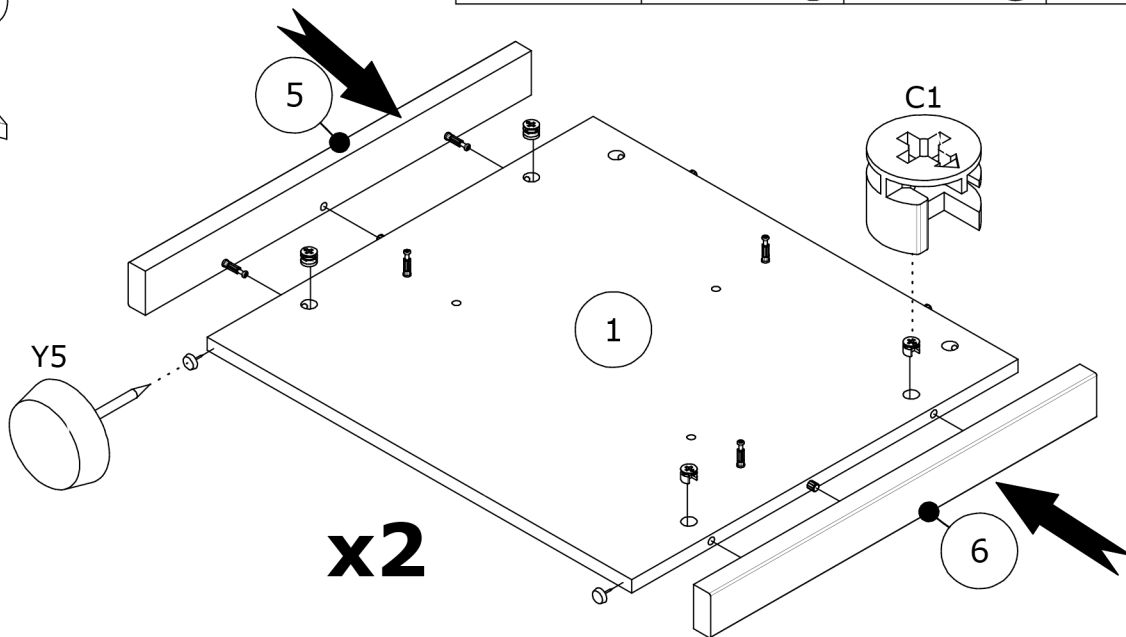
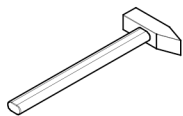
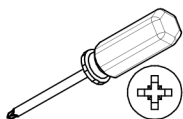
I



II



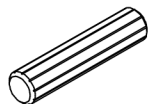
III



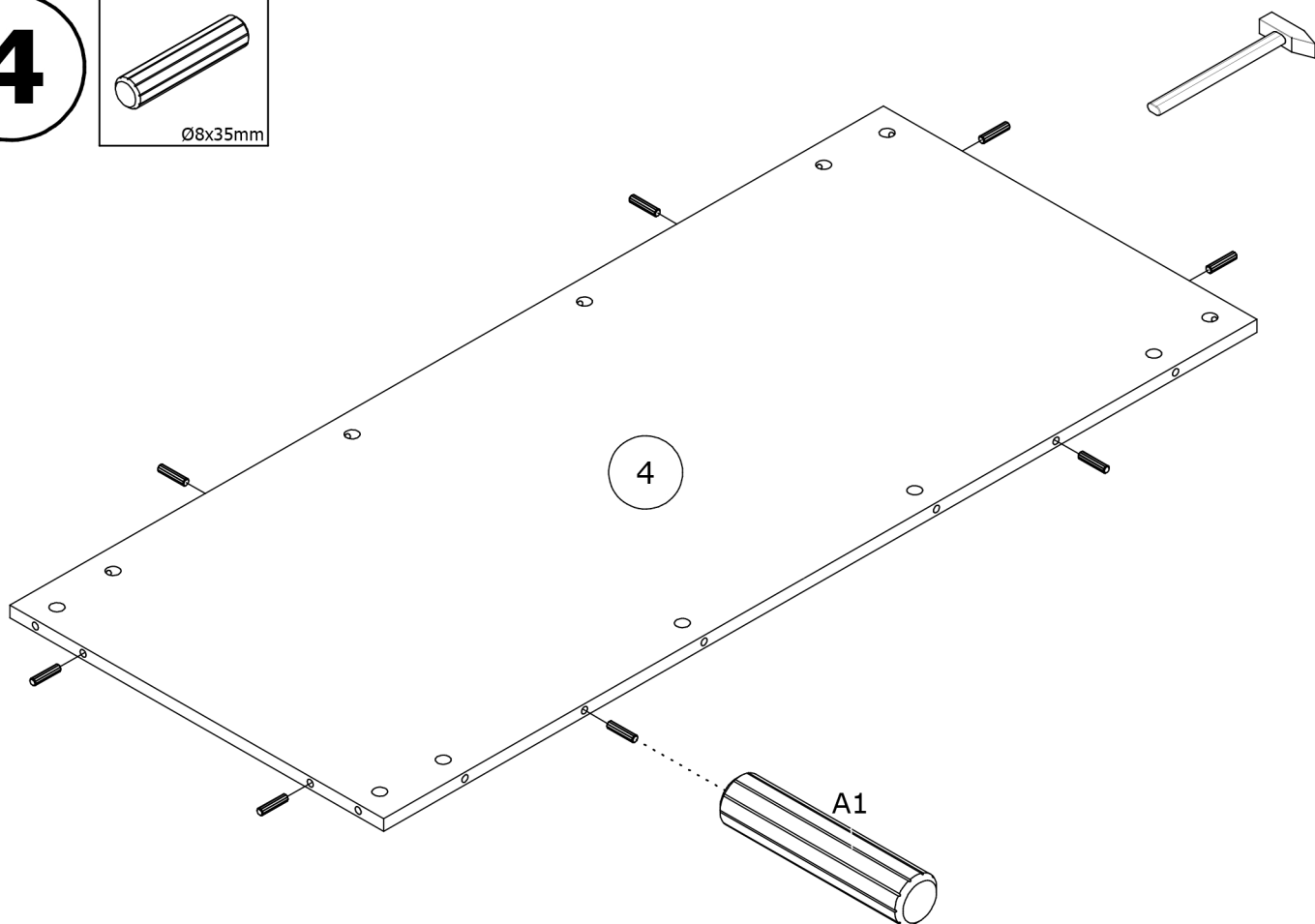
x2

**4**

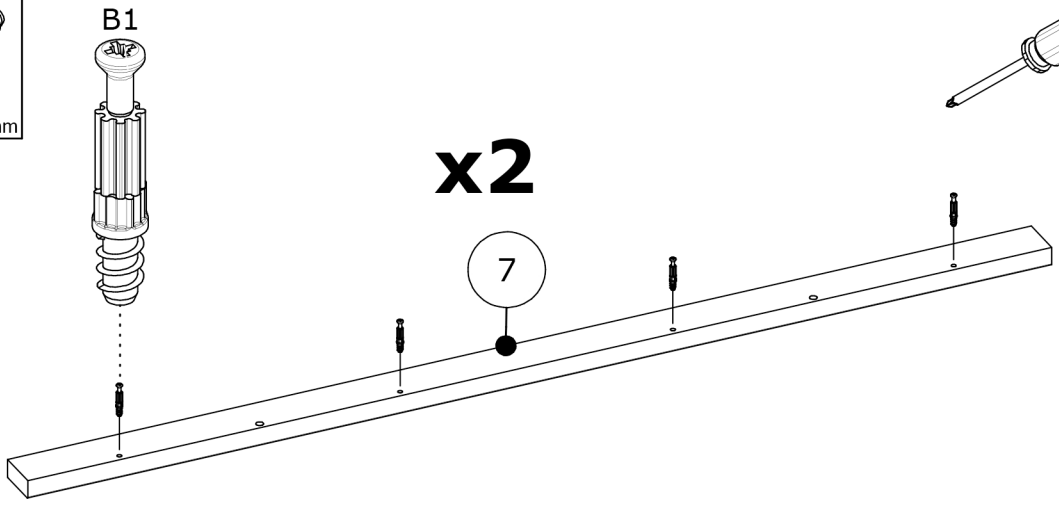
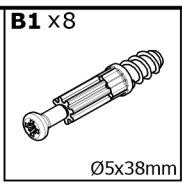
A1 x 8



Ø8x35mm

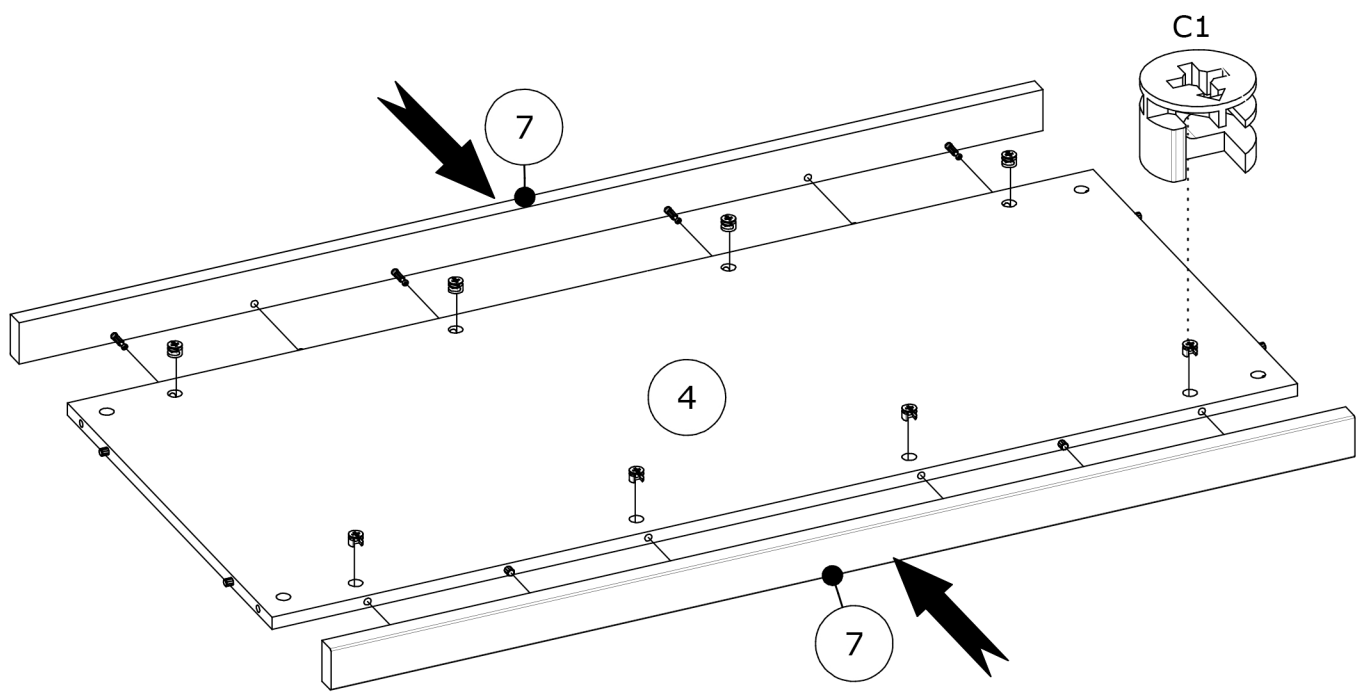
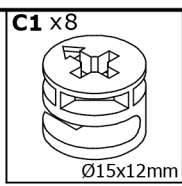


**5**

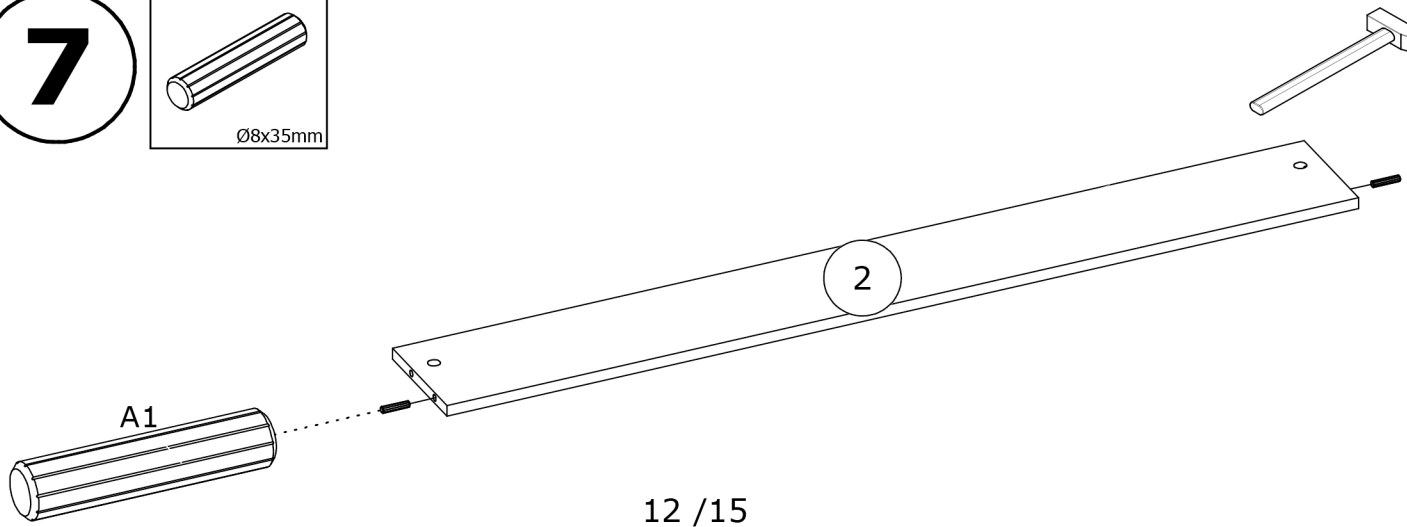
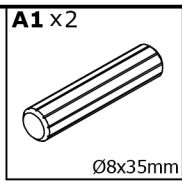


**x2**

**6**

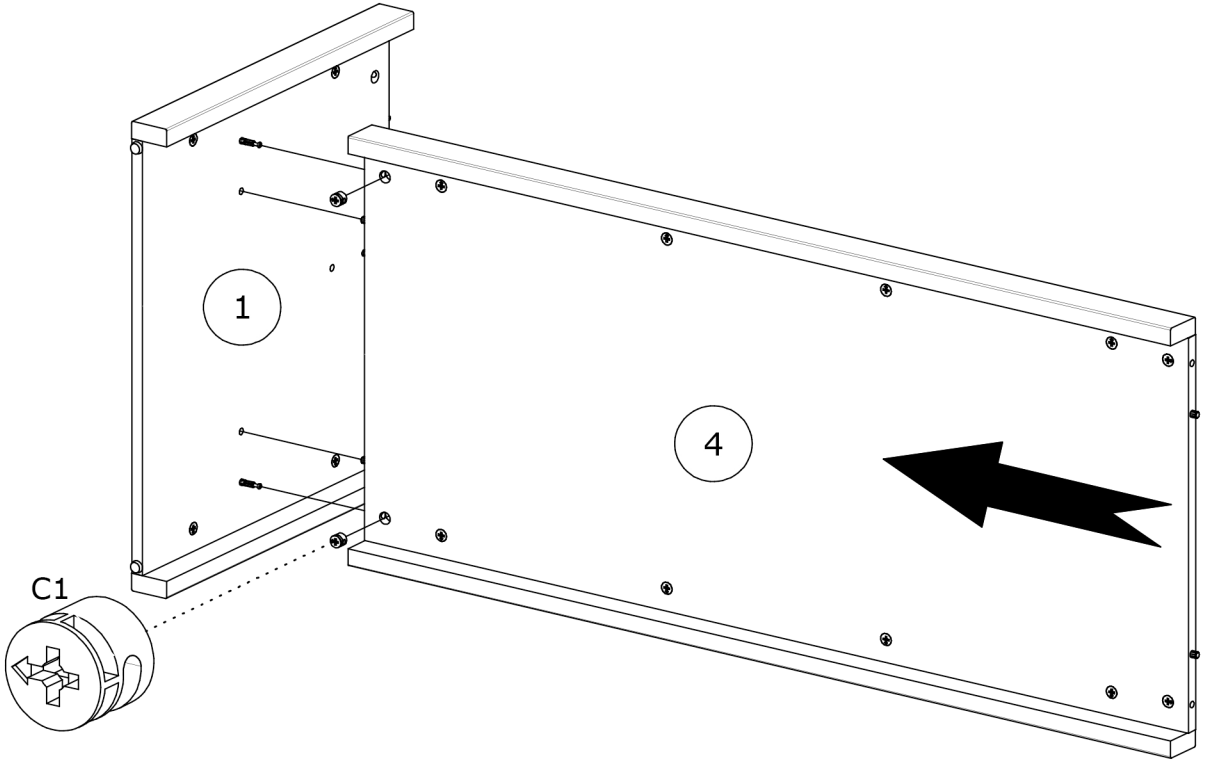
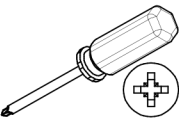
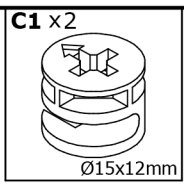


**7**

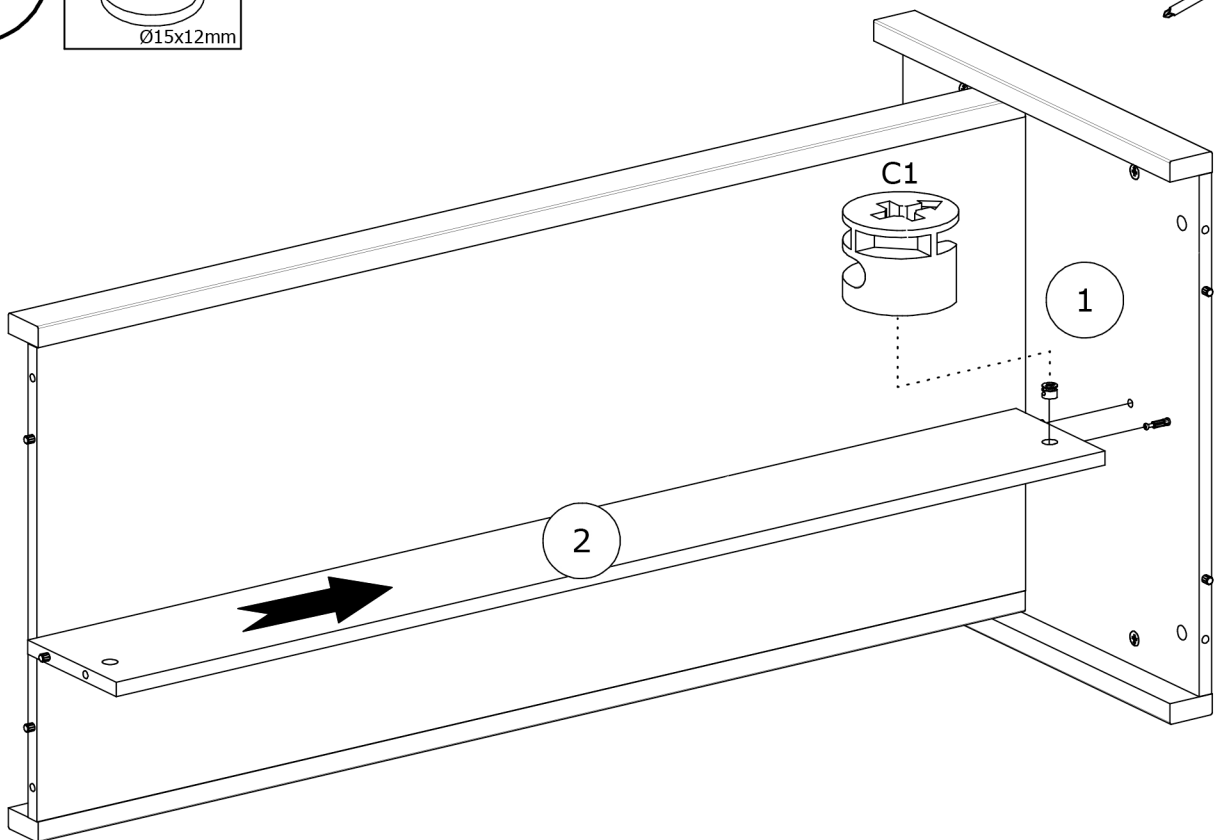
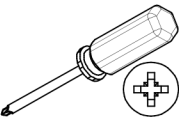
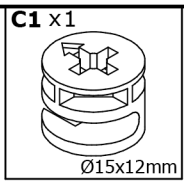




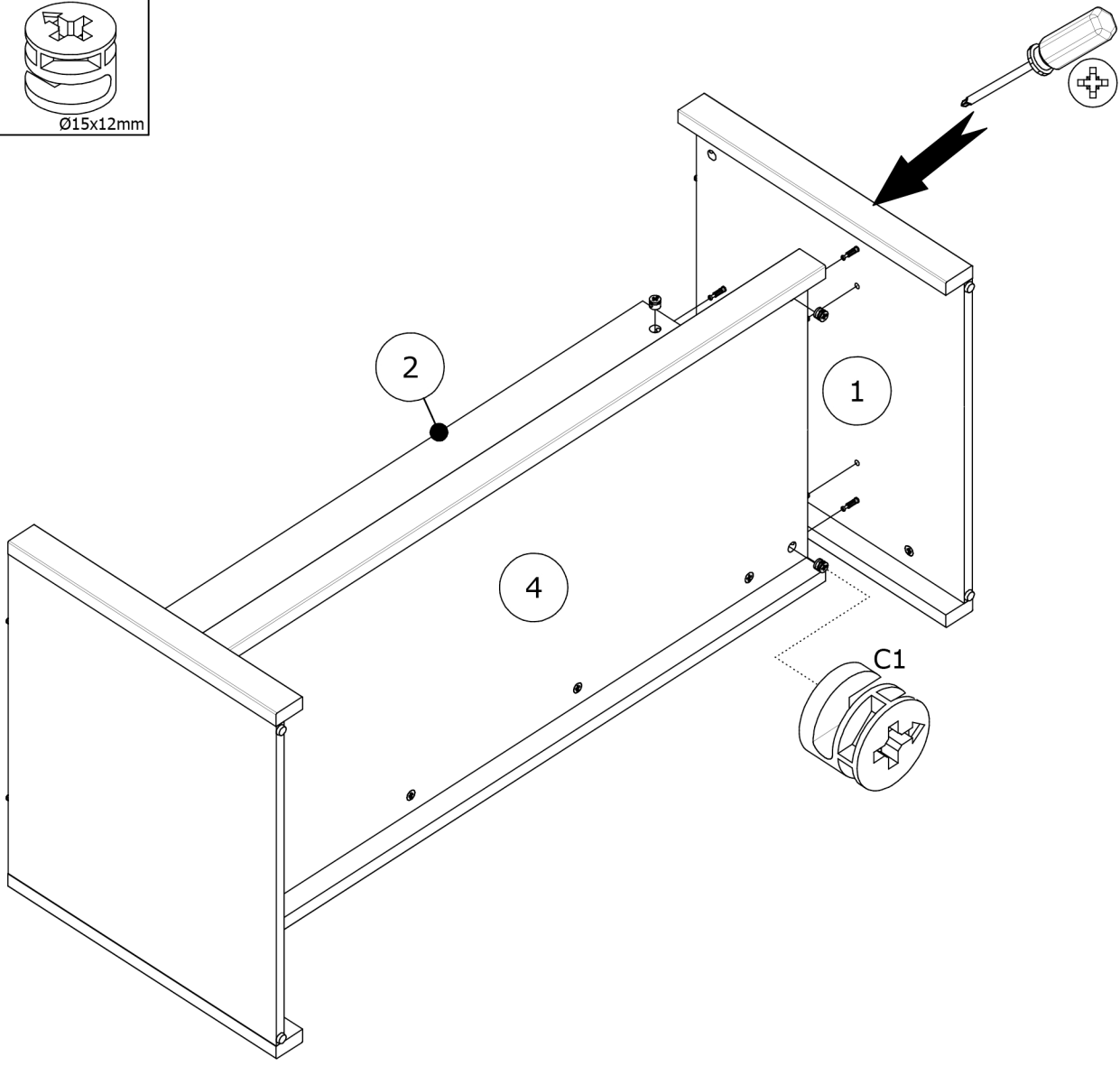
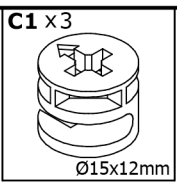
8



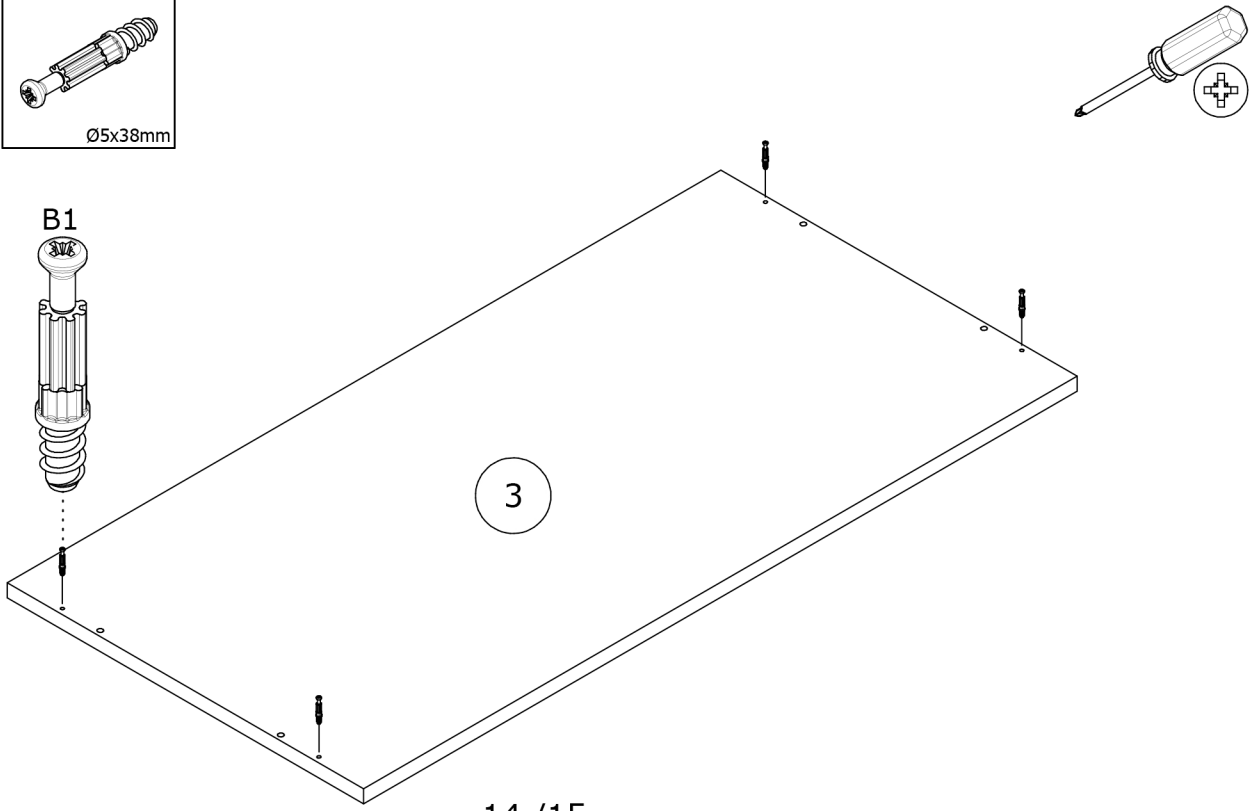
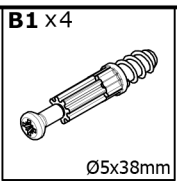
9



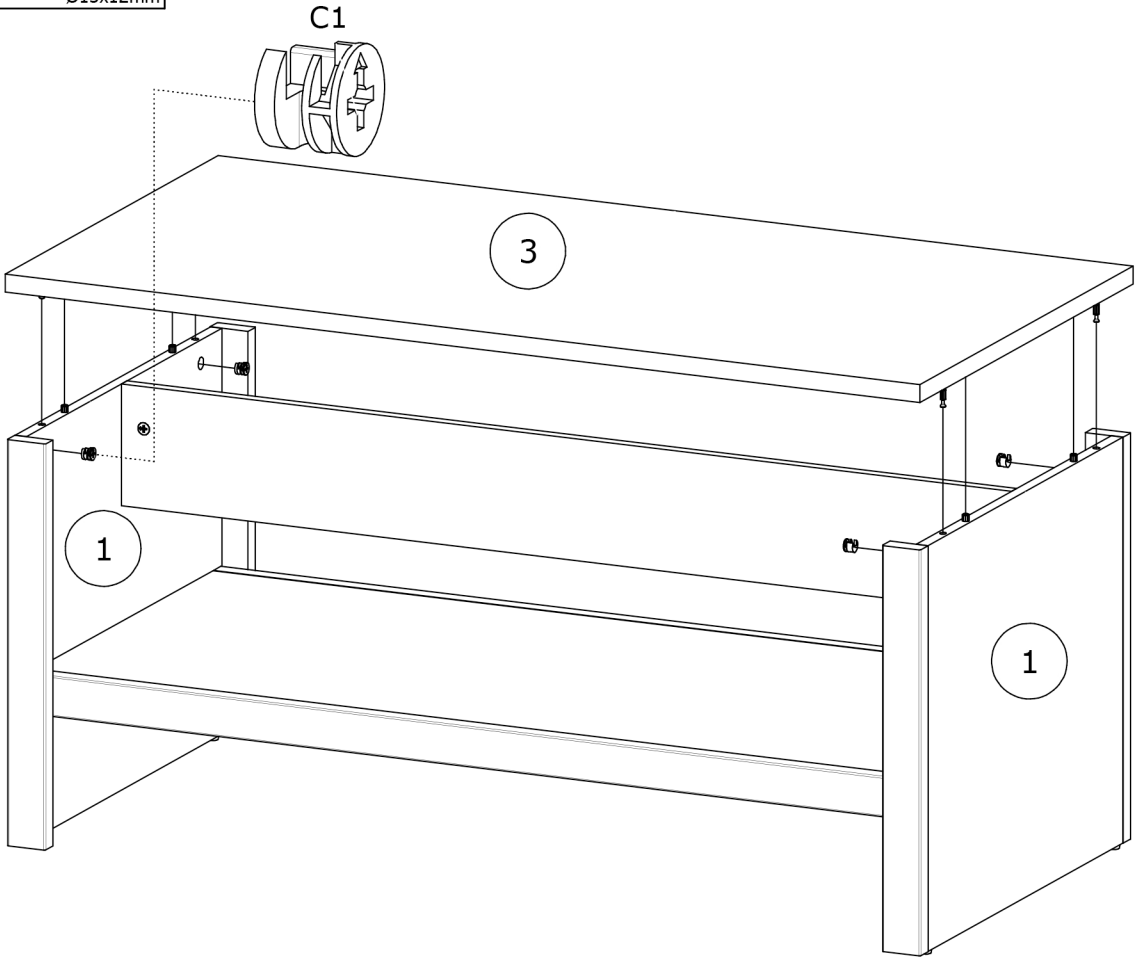
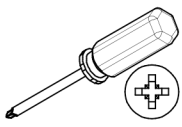
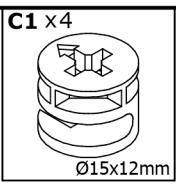
**10**



**11**



12



13

